



**PERFECT SERVING TEMPERATURES**  
**TRUE BAR AND DRAUGHT REFRIGERATORS**

**True**<sup>®</sup>  
REFRIGERATION

# Serve the perfect bottle every time

## Solutions for the modern bar

True's **TBR** product has been developed to bring the latest in refrigeration technology and configuration options to the under-bar market.



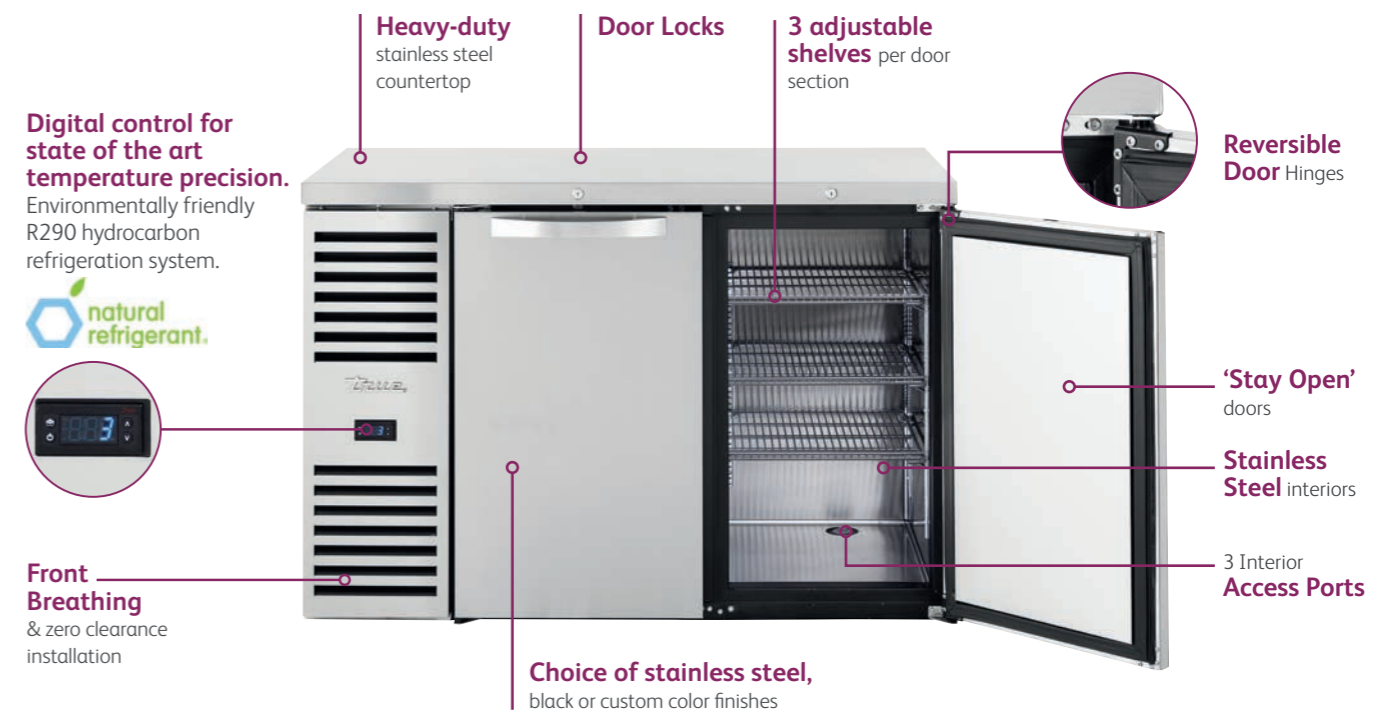
**CONSISTANT**  
TEMPERATURE



**LONG TERM**  
**RELIABILITY**



**REDUCED**  
POWER CONSUMPTION



### STANDARD FEATURES

- R290 Hydrocarbon systems
- LED Lighting
- 5 Years P&L Warranty
- Zero Clearance: Sides & Back
- True RCU Technology
- Electronic temperature control
- Plinth-mountable
- Castor & Leg options

# Customized bar refrigeration

## Configured to fit your theme and offering

TBR's can be configured in several ways to fit the space, look and feel of your bar, as well as the products being stored and served.

### Footprint

TBR cabinets are available in four different lengths to fit a wide range of spaces and bottle capacities. Depth and Heights are standard across the range.



Sections	2		3	
Product	TBR48	TBR52	TBR60	TBR72
Dimensions LxDxH	1219 x 631 x 883	1321 x 631 x 883	1524 x 631 x 883	1829 x 631 x 883
Capacity (330-ml bottles)	258	294	378	468

### Temperature

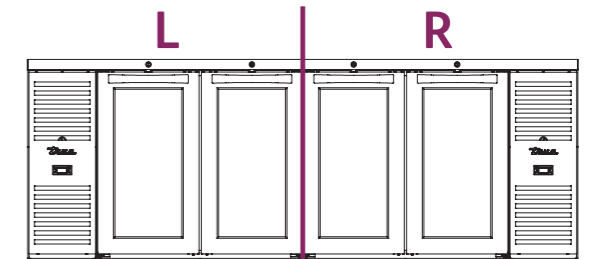
Different beverages are best stored and served at different temperatures, so TBR's feature three setting options:

Product	0.5 to 3.3°C	7 to 13°C	13 to 18°C
Suitable for	Beers, Soft Drinks, Juices, Milk	White Wine, Premium Lagers & Ales	Red Wine

NOTE: One of these three temperature ranges must be selected at the time of ordering, and cannot not be adjusted later.

### System side

TBR's can be specified with the refrigeration system situated on the Left or Right side of the unit, giving designers greater placement and layout options.



### Exterior finish

Unit exteriors (front & sides) can be specified in black powder-coated cold rolled steel, Stainless steel, or take advantage of True's Custom Color service, offering a range of different RAL designations to create a matching cooler to compliment your unique bar design.



### Door options

TBR's doors can be configured as solid swing, glass swing or glass slide to suit.

Mixed Solid Swing and Glass Swing doors can be configured. Glass Slide doors cannot be mixed with Swing options.



Door Types SOLID SWING DOOR GLASS SWING DOOR GLASS SLIDE DOOR

### TruLumina® Lighting option



Available on glass door units, TruLumina® is a next-generation lighting solution from True, providing 14 unique adjustable colour options for interior product illumination.



Upcharge applies. Replaces standard "white" LED Lighting.



# Serve the perfect glass every time

## Solutions for the modern bar

True's **TDR** product has been developed to bring the latest in refrigeration technology to the chilled draught dispense market.

  
**CONSISTANT**  
TEMPERATURE

  
**LONG TERM**  
**RELIABILITY**

  
**REDUCED**  
POWER CONSUMPTION

**77mm diameter surface mounted insulated draught column** with single faucet, 2-way manifold and drain assembly.

**Heavy-duty stainless steel countertop**, with surface mounted drip tray trough

**Digital control for state of the art temperature precision.**  
Environmentally friendly R290 hydrocarbon refrigeration system.



**Front Breathing**  
& zero clearance installation



**Door Locks**

**Reversible Door Hinges**

**3 adjustable shelves** per glass door section

**'Stay Open' doors**

**Stainless Steel interiors**

**3 Interior Access Ports**

**Choice of stainless steel,**  
black or custom color finishes

### STANDARD FEATURES

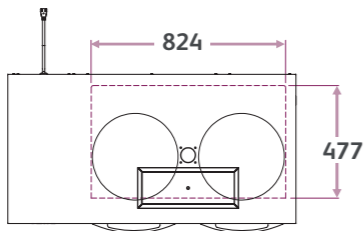
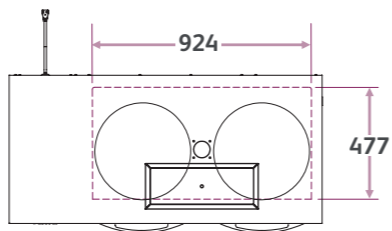
- R290 Hydrocarbon systems
- LED Lighting
- 5 Years P&L Warranty
- Zero Clearance: Sides & Back
- True RCU Technology
- Electronic temperature control
- Plinth-mountable
- Castor & Leg options



## Footprint

Solid door TDR's are intended to chill and dispense liquid product from a **variety of supported keg formats and sizes.**



Sections	2	
Product	TDR48	TDR52
Dimensions LxDxH	1219 x 631 x 883*	1321 x 631 x 883*
Usable space inside WxD		

## Keg Type

Capacity	20 litres	25 litres	30 litres	50 litres
DIN 6647-1/-2 ØxH	363 x 310		381 x 400	381 x 600
Euro-Keg ØxH	395 x 216	395 x 327	408 x 365	408 x 532

\*Unit Height does not include 400 mm for draught tower. Required pressure regulator and dispense gas cylinder are not supplied with the unit, and are not sold by True. Please contact True in advance of purchase to verify whether intended keg sizes are compatible with TDR. Keg connector type can vary depending on supplier. Contact your supplying brewery to confirm requirements.

## Customized bar refrigeration

Configured to fit your theme and offering

TDR products can also be specified as “combination” units, featuring **one solid door section (left) with draught arm, and one glass door section with shelves**, intended to display chilled bottles.



## Exterior finish

Unit exteriors (front & sides) can be specified in black powder-coated cold rolled steel, Stainless steel, or take advantage of **True's Custom Color service**, offering a range of different RAL designations to create a matching cooler to compliment your unique bar design.



## TruLumina® Lighting option

Available on glass door units, TruLumina® is a next-generation lighting solution from True, providing **14 unique adjustable colour options** for interior product illumination.



Upcharge applies. Replaces standard "white" LED Lighting.

**NOTE:** It is essential that only qualified people set up the dispense system components and gas pressure regulator. Gas cylinders contain gas at extremely high pressures. Incorrect usage or fitting of components can lead to severe injury and even death.





[truerefrigeration.eu](http://truerefrigeration.eu)

True Refrigeration Europe GmbH, Hauptstr. 269, 79650 Schopfheim, Germany, +49 (0) 7622 68830  
True Refrigeration UK Ltd, Fields End Road, Rotherham, S. Yorkshire S63 9EU, +44 (0) 800 783 2049  
Headquarters - 2001 East Terra Lane O'Fallon, MO 63366-44-34